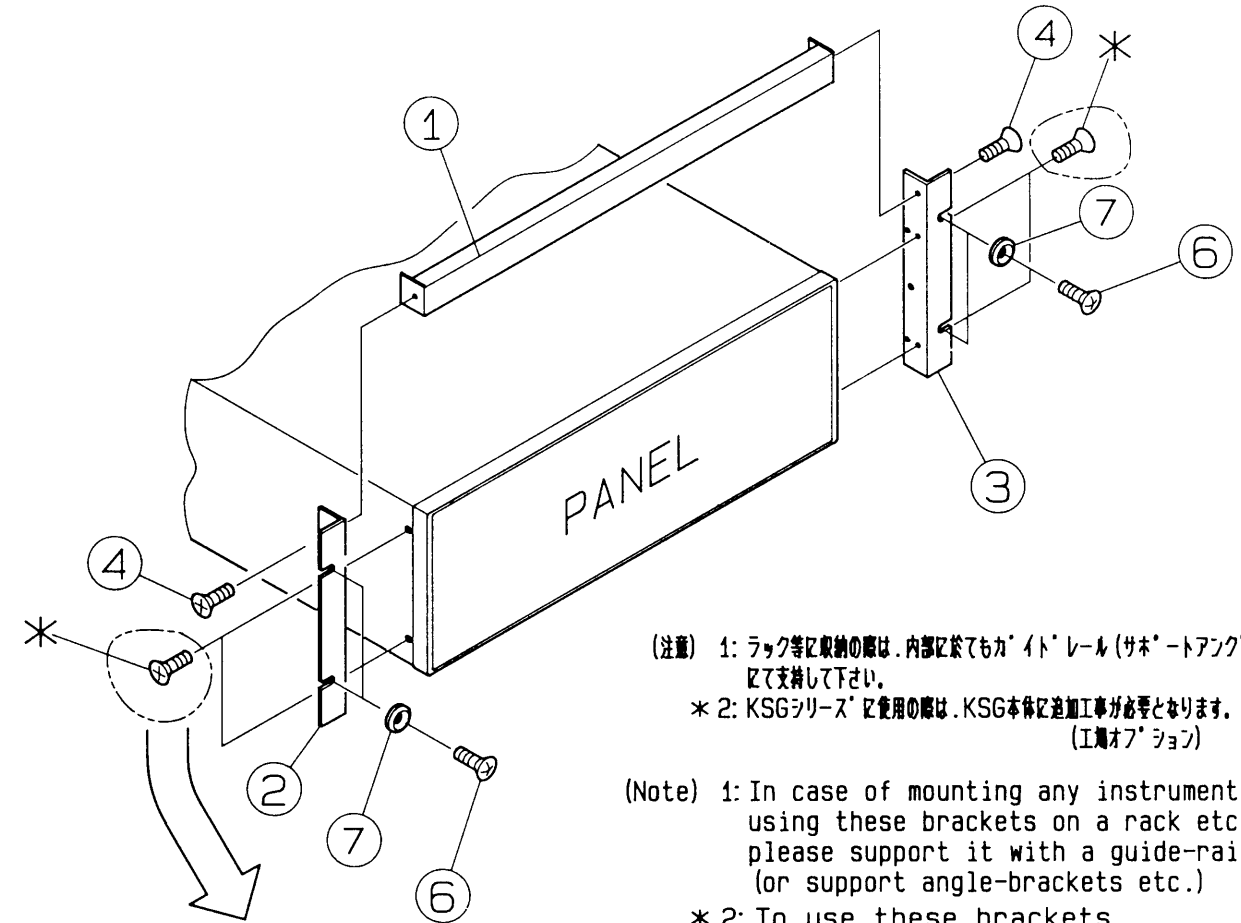
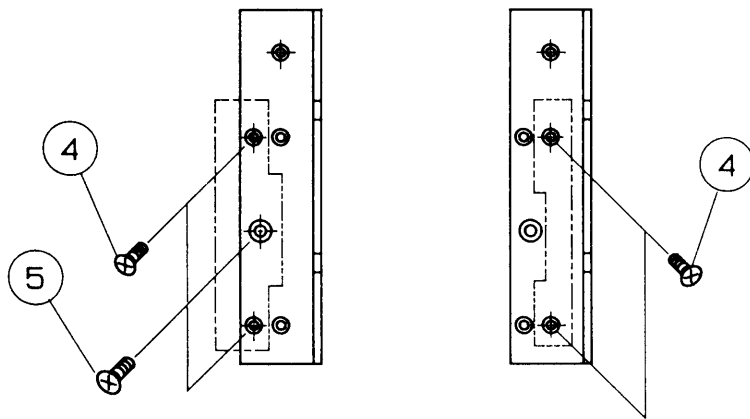


BRACKET BH3-KSG



(注意) 1: ラック等に取納の際は、内部に於てもガイドレール(サポートアングル)等にて支持して下さい。
 * 2: KSGシリーズに使用の際は、KSG本体に追加工事が必要となります。
 (工場オプション)

(Note) 1: In case of mounting any instrument using these brackets on a rack etc., please support it with a guide-rail (or support angle-brackets etc.)
 * 2: To use these brackets for a KSG series instruments, modification on the instrument is necessary: (factory option.)



KSG SERIES

TOS9010/9020

NO	DESCRIPTION	QTY
1	BLANK PANEL BH3-KSG	1
2	BRACKET BH3-KSG LEFT	1
3	BRACKET BH3-KSG RIGHT	1
4	SCREW, FLAT HEAD M3X0.5X10 S-ZN	6
5	SCREW, FLAT HEAD M4X0.7X8 S-ZN	2
6	SCREW, OVAL HEAD M5X0.8X14 B-NI	4
7	FINISHING WASHER 5CW	4
* 8	PRESS NUT (M4) 409S	2